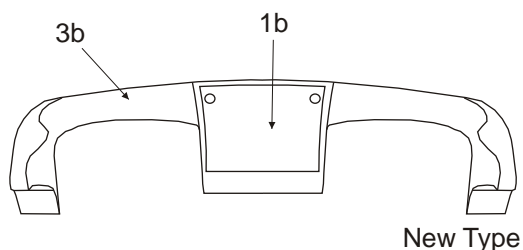
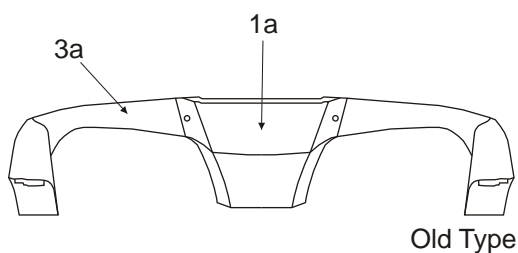
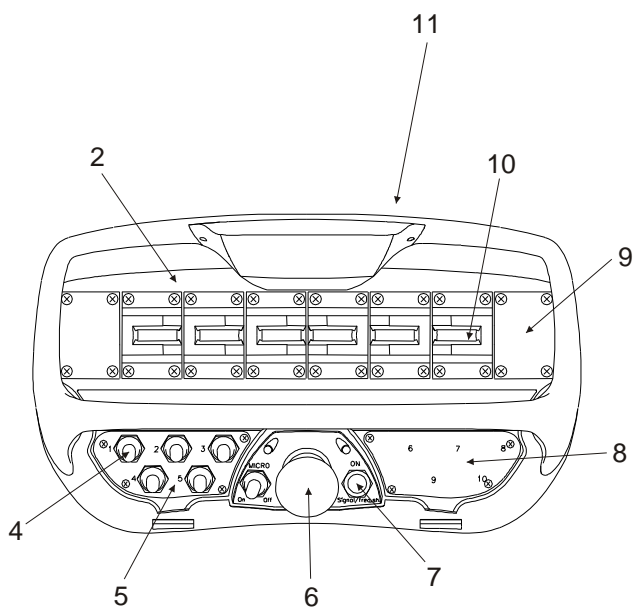


- 1) Hook for belt cod. A3000380080
- 2) 4 pin male connector with closing cap cod. A1000380180
- 3) Battery 7.2V NiCd cod. A2000380100
- 4) Bottom black part cod. A3000380301

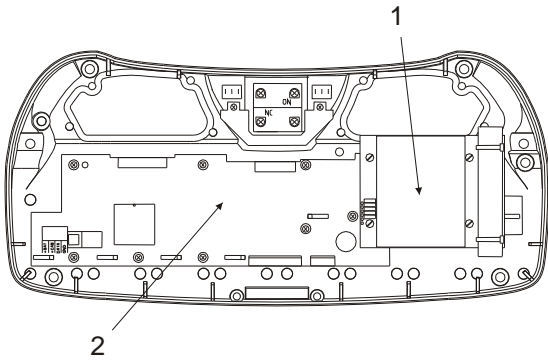


- 1) Plastic cover :
 - 1a: old type cod. A3000380401
 - 1b: new type cod. A3000390401
- 2) Central blue part :
 - for TX with linear joysticks cod. A3000380102
 - for TX with cross joysticks cod. A3000380103
- 3) Upper black protection frame :
 - 3a: old type for TX with linear joysticks cod. A3000380101
 - 3a: old type for TX with cross joysticks cod. A3000380104
 - 3b: new type for TX with linear joysticks cod. A3000390101
 - 3b: new type for TX with cross joysticks cod. A3000390104

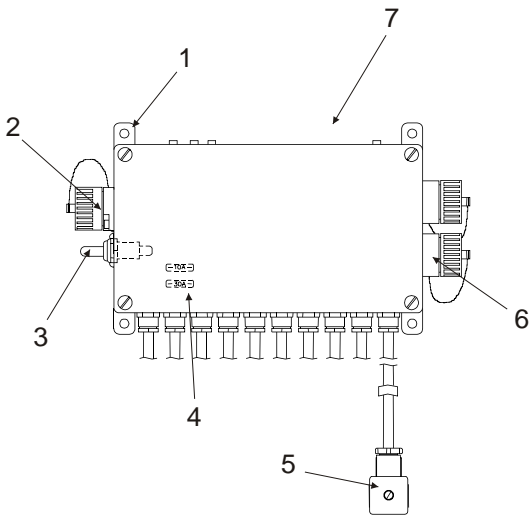


- 4) Switch with rubber protection :
 - detent switch 2 positions cod. A1000380230
 - detent switch 3 positions cod. A1000380130
 - spring return switch 3 positions cod. A1000380150
 - rubber protection only cod. A2000900100
- 5) Left switch plate :
 - plastic only cod. A2000380220
 - standard version with 4 microswitches cod. A2000380221
- 6) Emergency stop button with contact cod. A1000380170
- 7) Push button with rubber protection cod. A1000380140
 - rubber protection only cod. A2000900101
- 8) Right switch plate (plastic only) cod. A2000380210
- 9) Closing cap :
 - for linear joystick cod. A3000380100
 - for cross joystick cod. A3000380105
- 10) Joystick :
 - linear with spring return cod. A1000380100
 - linear frictioned cod. A1000380101
 - 2 axis cross cod. A1000380400
 - 3 axis cross cod. A1000380402
- 11) Complete control box : please contact our sales department (serial numbers of old parts are required)

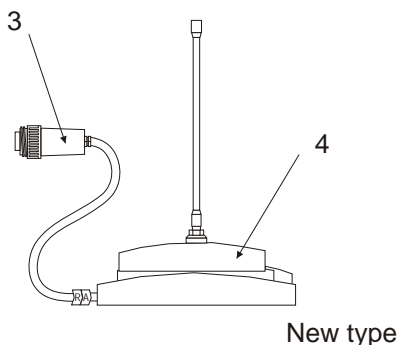
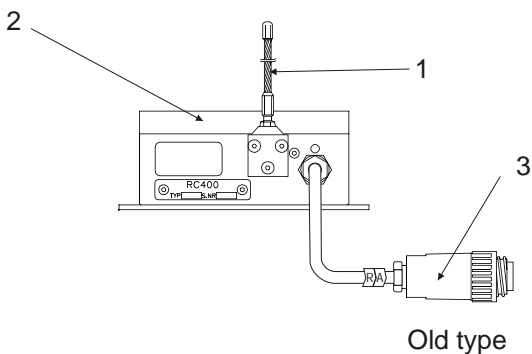
FABERCOM			
DESCRIZIONE: Spare parts list for Scanreco Rc400			
NOME FILE: "Rc400_spare_parts_list_g1_ita_eng.cdr"			
DATA: 30-07-2012	FOGLIO 1	DI	3



- 1) Radio transmitter electronic card (type 380) cod. A1170360000
Radio transmitter electronic card (type 515) cod. A1170360002
- 2) Main electronic card : please contact our sales department (serial numbers of old parts are required)

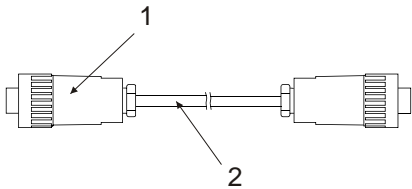


- 1) Mounting bracket cod. F3001510010
- 2) 4 pin male connector with closing cap cod. A1000380180
- 3) Switch with rubber protection :
- detent switch 3 positions cod. A1100380130
- 4) Blade fuse :
- 10A cod. A2003410040
- 30A cod. A2003410050
- 5) DIN43650 connector with gasket and screw :
- 2 pins + ground cod. A2001300020
- 3 pins + ground cod. A2001300030
- 6) 7 pin female connector with closing cap cod. A2001700050
- 7) Complete electronic box : please contact our sales department (serial numbers of old parts are required)

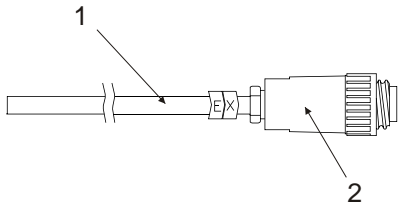


- 1) Antenna cod. A2000380130
- 2) Receiver with cable and antenna (type 344) cod. F1000381010
- 3) 7 pins male connector cod. A2001700060
- 4) Receiver with cable and antenna (type 1500) cod. F1000381030

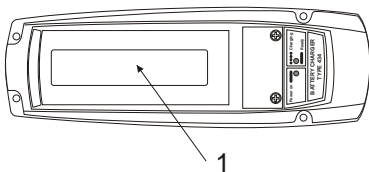
FABERCOM	CODICE:
DESCRIZIONE: Spare parts list for Scanreco Rc400 radio remote control	
NOME FILE: "Rc400_spare_parts_list_g1_ita_eng.cdr"	
DATA: 30-07-2012	FOGLIO 2 DI 3



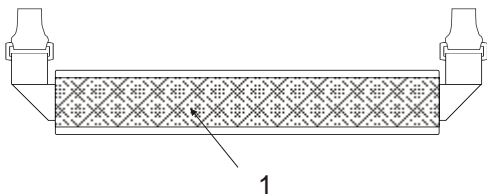
- 1) 4 pins female connector cod. A2001700030
- 2) Serial cable with connectors :
 - 15 metres lenght cod. A2000380110
 - 30 metres lenght cod. A2000380112



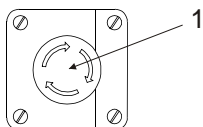
- 1) EX cable with connector (2,5 metres lenght) cod. A2000380120
- 2) 7 pins male connector cod. A2001700060



- 1) Quick battery charger :
 - 110Vac 50Hz cod. F1700360005
 - 220 Vac 50Hz cod. F1700360003
 - 12/24 Vdc cod. F1700360002



- 1) Belt :
 - for neck use (small) cod. A3000380110
 - for waist use (large) cod. A3000380410



- 1) Emergency stop button with container box cod. A1000380171

FABERCOM		CODICE:	
DESCRIZIONE: Spare parts list for Scanreco Rc400 radio remote control			
NOME FILE: "Rc400_spare_parts_list_g1_ita_eng.cdr"			
DATA: 30-07-2012	FOGLIO 3	DI	3